



evoamerica.com



Model# 11-0123-ATK

Trim Kit for Evo® 30G Cooktop

Square Insert with Vent Panel

ACCESSORY

Designed For Easy Installation of the Affinity 30G Drop-in Cooktop

- Allows drop-in installation of Evo Affinity 30G and 30Gp Cooktop to countertop cutout.
- Provides recommended clearance for combustion.
- 16-gauge and 18-gauge stainless steel construction with #4 brushed finish on outside surfaces.
- Stainless steel cabinet construction for easy cleaning and weather resistance.
- Corners are fully welded, ground smooth and blended.
- Front vent panel.



Evo Cooktop sold separately.



Shown with 30G Installed

SHORT FORM SPECIFICATIONS:

The Evo 11-0123-ATK Trim Kit is designed for easy installation of the Evo Affinity 30G and 30Gp Circular Cooktop drop-in unit to countertop cutout. The Trim Kit is constructed of 304 16 and 18 gauge stainless steel. All exposed surfaces have a number 4 finish. *Evo Cooktop sold separately.*

Data

Part #	For Evo Model	Trim Kit Dimensions			Trim Kit Weight
		H	W	D	
11-0123-ATK	Affinity 30G & Affinity 30Gp	10 5/8" 270mm	40" 1016mm	33 1/8" 841mm	23 lbs 10.4 kg

Due to ongoing product improvement, specifications are subject to change without notice.

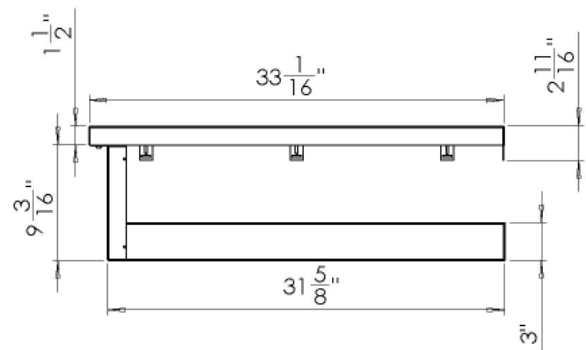
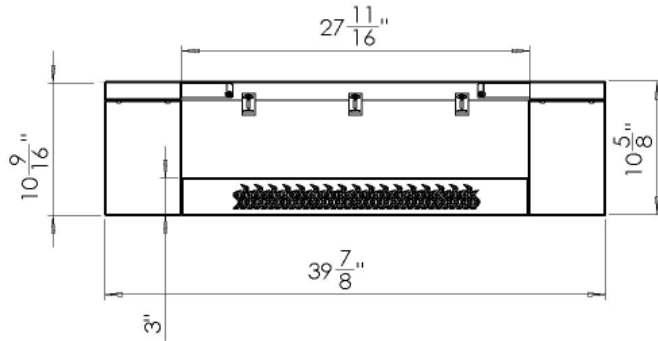
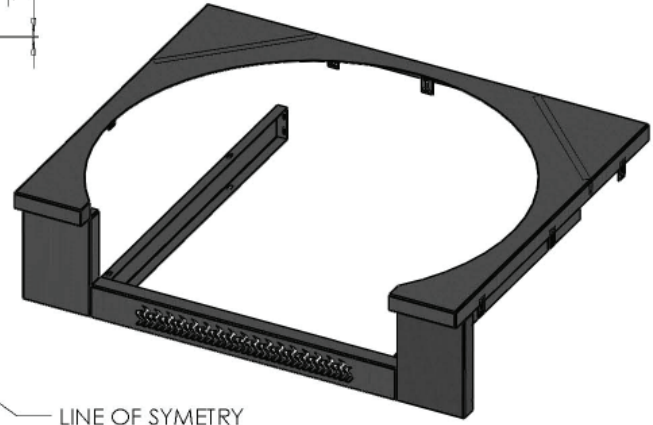
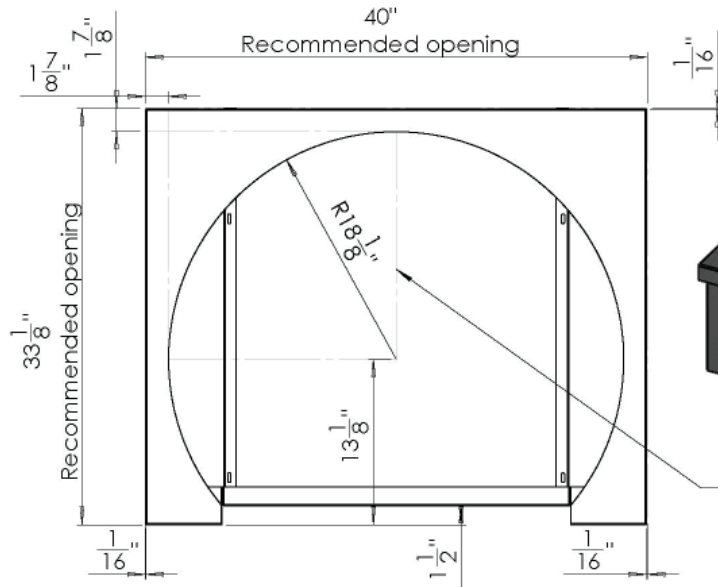




Model# **11-0123-ATK**

Trim Kit for Evo® 30G Cooktop

Evo Cooktop sold separately.



evoamerica.com

Evo is protected under U.S. Patents 9,897,328, 9,869,474, 10,139,113, 9,903,595, 10,842,540, 7,825,353 and U.S. Patents Pending.